

Profile



2006

Merlin Gerin

Square D

Telemecanique

Schneider
 **Electric**

Building a New Electric World



A World Leader in Power & Control

Headquartered in Palatine, Ill., the North American Operating Division of Schneider Electric had sales of \$2.8 billion (U.S.) in 2005.

The North American Operating Division is one of four operating divisions of Schneider Electric, headquartered in Paris, France, and markets the Square D, Telemecanique and Merlin Gerin brand products to customers in the United States, Canada and Mexico.

For 100 years, Square D has been a market-leading brand of electrical distribution and industrial control products, systems and services.

Schneider Electric is a global electrical industry leader with 2005 sales of approximately \$14.5 billion (U.S.).

Electricity
is all
around you.

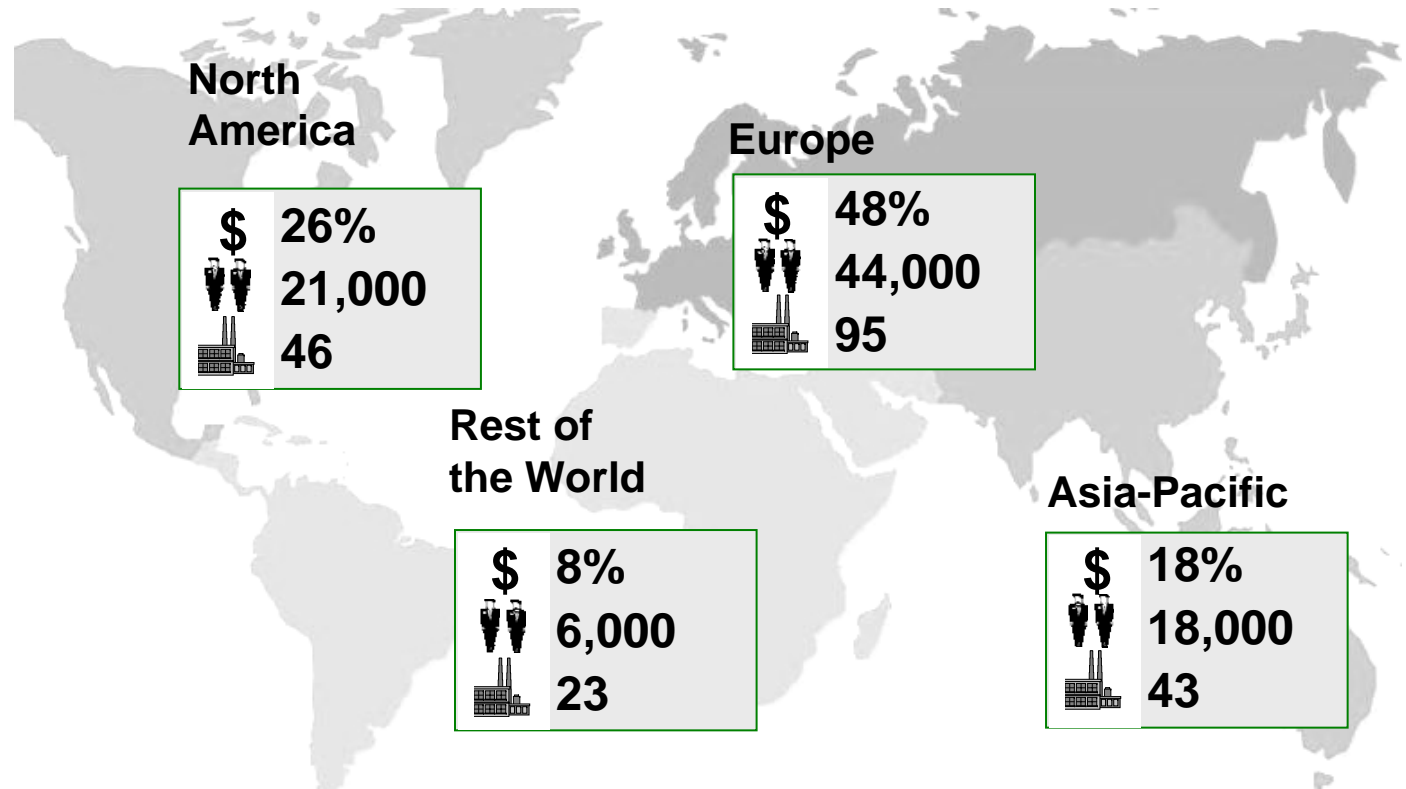


Covering the world with strong local operations

Sales, Employees, Factories by geographical region

Schneider Electric in figures

- **\$15 billion** sales in 2005
- **90,000** employees*
- **190** countries
- **207** factories
- **124** logistics centers
- **6,500** R&D people in **25 countries**
- **15,000** sales outlets



*Average workforce including permanent and temporary employees

Source: 2005 Annual Report



Innovating for our customers

Innovation in figures

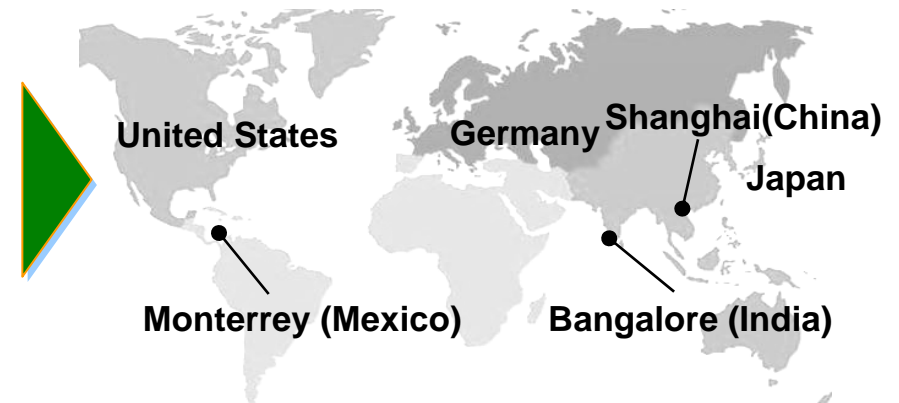
- 5% of consolidated sales invested in R&D
- 6,500 R&D team members
- 25 R&D centers on every continent
- 60 Application Centers in 18 countries
- Partnerships with 50 private university laboratories

■ Sustained investment

- ~ 5% of sales in R&D - 6,500 people
- Acquisition of advanced technologies: PML, BEI Technologies

■ Deployment of resources in emerging markets

■ Strong presence in high-tech countries



■ Leverage of technological partnerships

- Toshiba, IBM, Fuji, Tata

■ Opening in 2006 of the Electropole R&D centre in Grenoble





An international leading team

(1) Management board
(2) Executive committee

Chairman of the Management Board
& CEO

Jean-Pascal TRICOIRE (1),(2)



Central functions

Chief Financial
Officer

Pierre BOUCHUT (1),(2)



Strategy, Customers
& Technology

Eric PILAUD (2)



Strategic resources
and organization

Jean-François PILLIARD(2)



new²
Company program
Alejandro SOLIS



Quality
Serge GOLDENBERG



Globalization
& Industry
Hal GRANT (2)



Global
Human Resources
Karen FERGUSON (2)



North America
Dave PETRATIS (2)



Business units

Automation
Michel CROCHON (2)



Renewable energies
Claude GRAFF (2)



Europe
Julio RODRIGUEZ (2)



Building Automation
Arne FRANK (2)



Power
Eric RONDOLAT (2)



Asia-Pacific
Russell STOCKER (2)



Critical Power &
Cooling services
Laurent VERNEREY (2)



Services & Projects
Eric PILAUD (2)



International
Christian WIEST (2)



Operating divisions

Customized Sensors
Chuck TREADWAY



Installation Systems
and Control
Jean-Pierre CHARDON





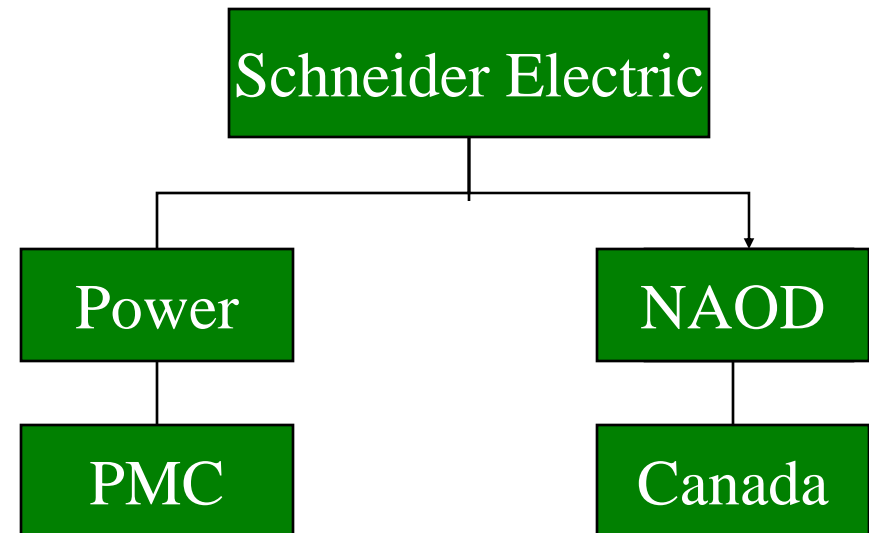
Power Monitoring and Control

■ PMC Globally

- ~600 employees
- R&D centers in Nashville, TN; Grenoble, France; and Victoria, Canada
- Produce monitors, relays and software under the SquareD, Merlin Gerin and Sepam brands

■ PMC Victoria

- Received \$2.5M in funding from Sustainable Development Technology Canada for R&D to reduce greenhouse gases
- Spends 10% of revenue on R&D
- Is the 145th largest R&D spend in Canada

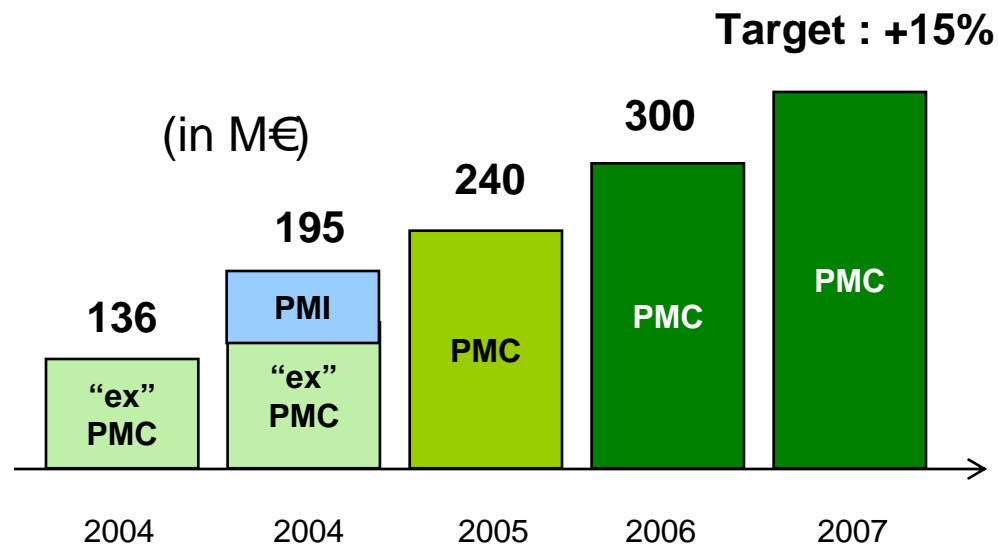




Very Strong Growth Over Last 3 Years

> Both product lines have shown very strong growth over the past 3 years

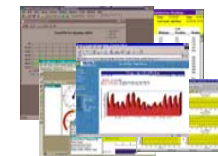
High profitability



> Protection relays:
25/30% EBIT



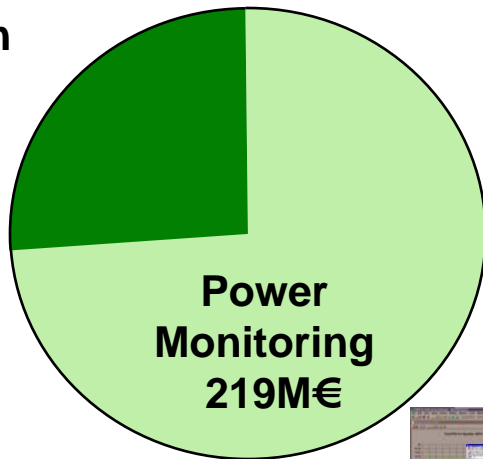
> Power monitoring:
20% EBIT



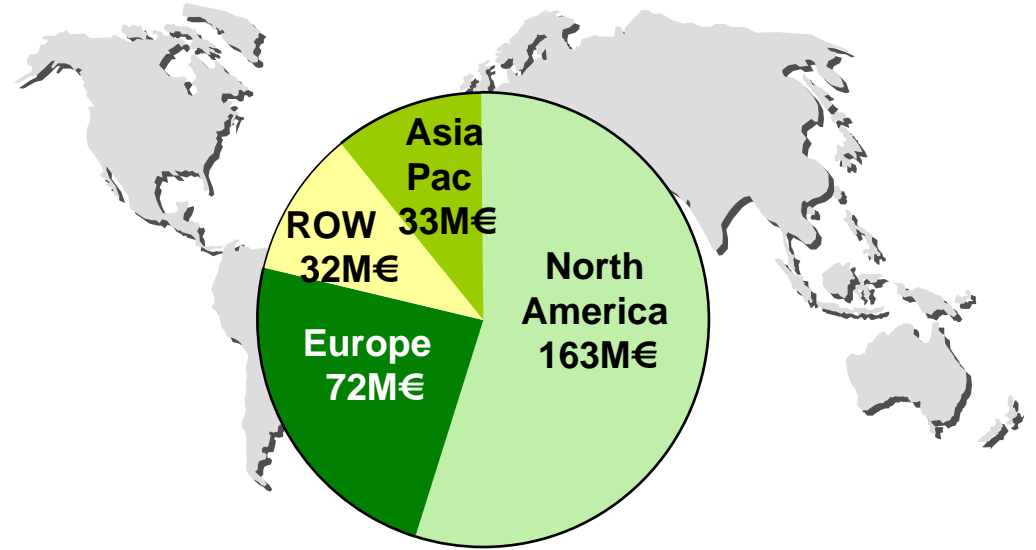


2006 Sales Breakdown

**Protection
Relays
81M€**



**Revenue Split
by Business (Y06)**



**Revenue Split
by Geography (Y06)**



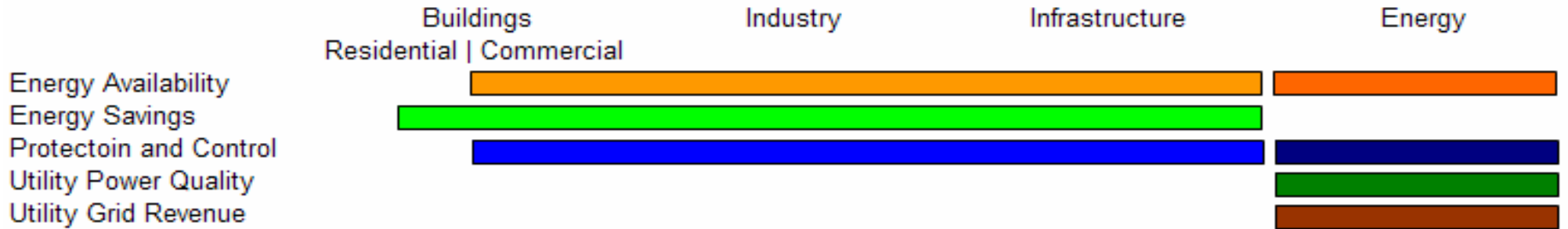
Metering Portfolio

Features





Markets and Applications



Solutions

Protect
SEPAM

Measure
PM, CM, ION Metering
EGX Gateway
High Voltage Sensor

Monitor
Transparent Ready
ION Setup
PowerView
ION Enterprise

Analyse
ION Enterprise
Energy Profiler Online
EEM

Control
ION Enterprise





Market Trends – Energy Consumers

■ Buildings – Residential

- Mandated “Smart Metering” initiatives
- LEED for Homes – Pilot programs in Canada and US

■ Buildings – Commercial

- Demand Response programs maturing
- Continued pressure from tenants for accurate energy Sub-billing
- Energy Star and LEED for existing buildings
- Carbon Emissions reporting and compliance

■ Industry

- Interest in IEC61850 in large Oil and Gas markets
- Carbon Emissions reporting and compliance

■ Infrastructure

- Power densities in large Data Centers exceeding 20 kW / Cabinet
- Significant government pressures to “Green” Data Centers



PowerLogic Initiatives – Energy Consumers

■ Energy Availability

- Focus on *information*, not data
 - E.G. - ION7650 Trending and Forecasting, Disturbance Direction, Setpoint Learning
- Focus on *integration*
 - E.G - ION7650 SNMP protocol
 - E.G.- ION Enterprise OPC Server and Client

■ Energy Savings

- Focus on *cost management*
 - E.G. - Energy Profiler Online (EPO) hosted Energy and Energy cost analysis tools, including Demand Response
 - E.G. - EEM Cost Allocation and Reporting
- Focus on “**Green**” business opportunities
 - E.G. - EEM and EPO Carbon Emissions Reporting
 - E.G. - EEM Modeling, Measurement and Verification



PowerLogic Initiatives – Energy Consumers

■ Protection and Control

□ Focus on *coordination*

- E.G. SEPAM and ION Meter IEC 61850 protocol support
- E.G. PowerLogic SCADA software



Revenue Metering Offer:

- ANSI C12.20 0.2 compliant
- ANSI C12.16 accuracy compliant
- IEC 62053-22 0,2S compliant
- IEC 60687 0,2S compliant
- IEC 60687 0,5S compliant
- MV-90 support
- Multi-year scheduling: hourly activity profiles
- Transformer/line loss compensation
- Instrument Transformer Correction
- PrimeRead – Multi Vendor Data Collection Software





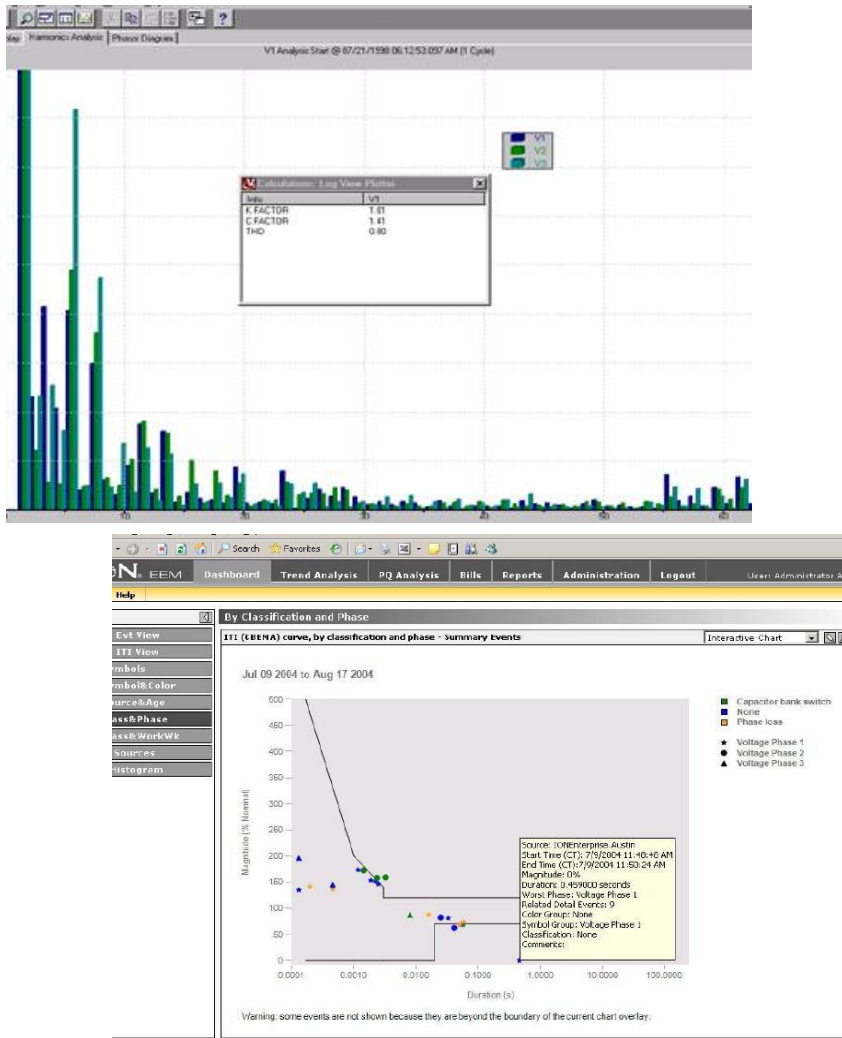
Revenue Metering Trends:

- **Increased sharing of data (to utilities, ISOs and end users) raises need for advanced communication and security features**
- **Overall system accuracy improvements required as cost of energy rises**
- **Losses, Unaccounted For Energy, theft of service become more important as demand rises and capacity is stretched**





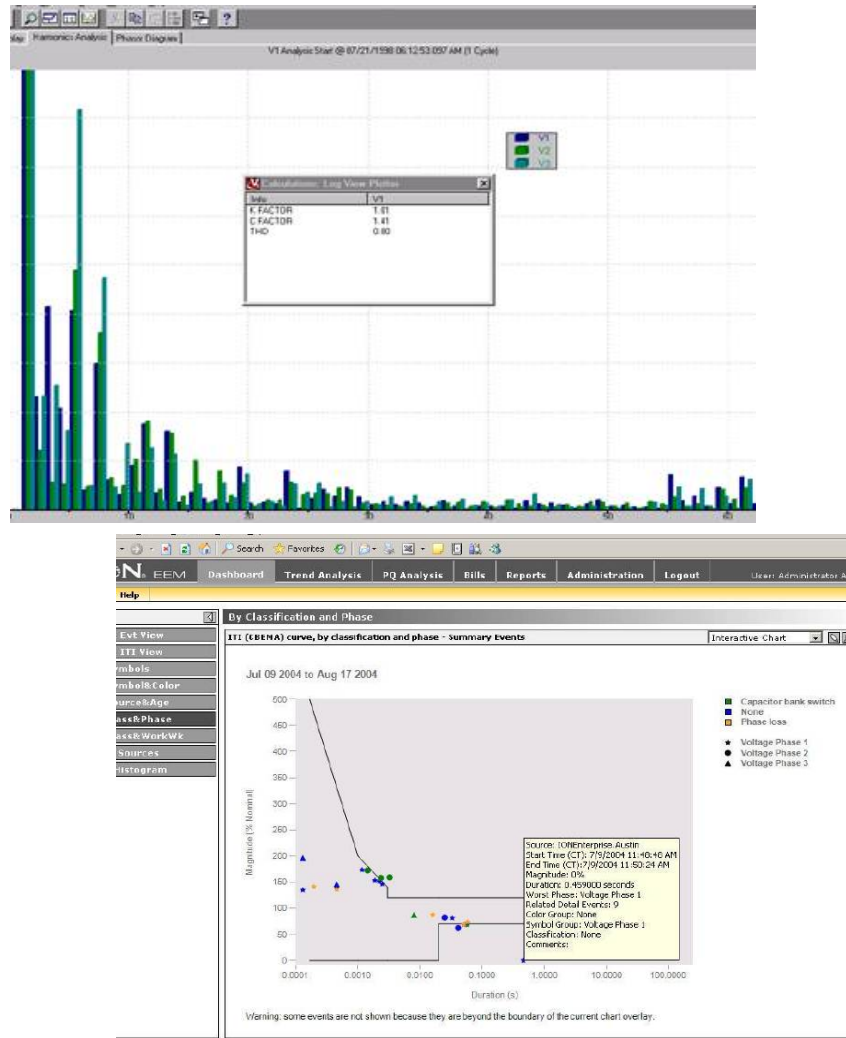
Power Quality Offer:



- Harmonics to the 63rd
- Symmetrical Components, Flicker
- 1024 samples/cycle
- Dip/swell monitoring
- IEC 61000-4-30 Class A measurement
- Compliance reporting
 - EN50160, IEEE 519, SEMI, SARFI
- Reporting through substation-level and system-level software packages
- Direct access to PQ parameters using Webmeter



Power Quality Trends:

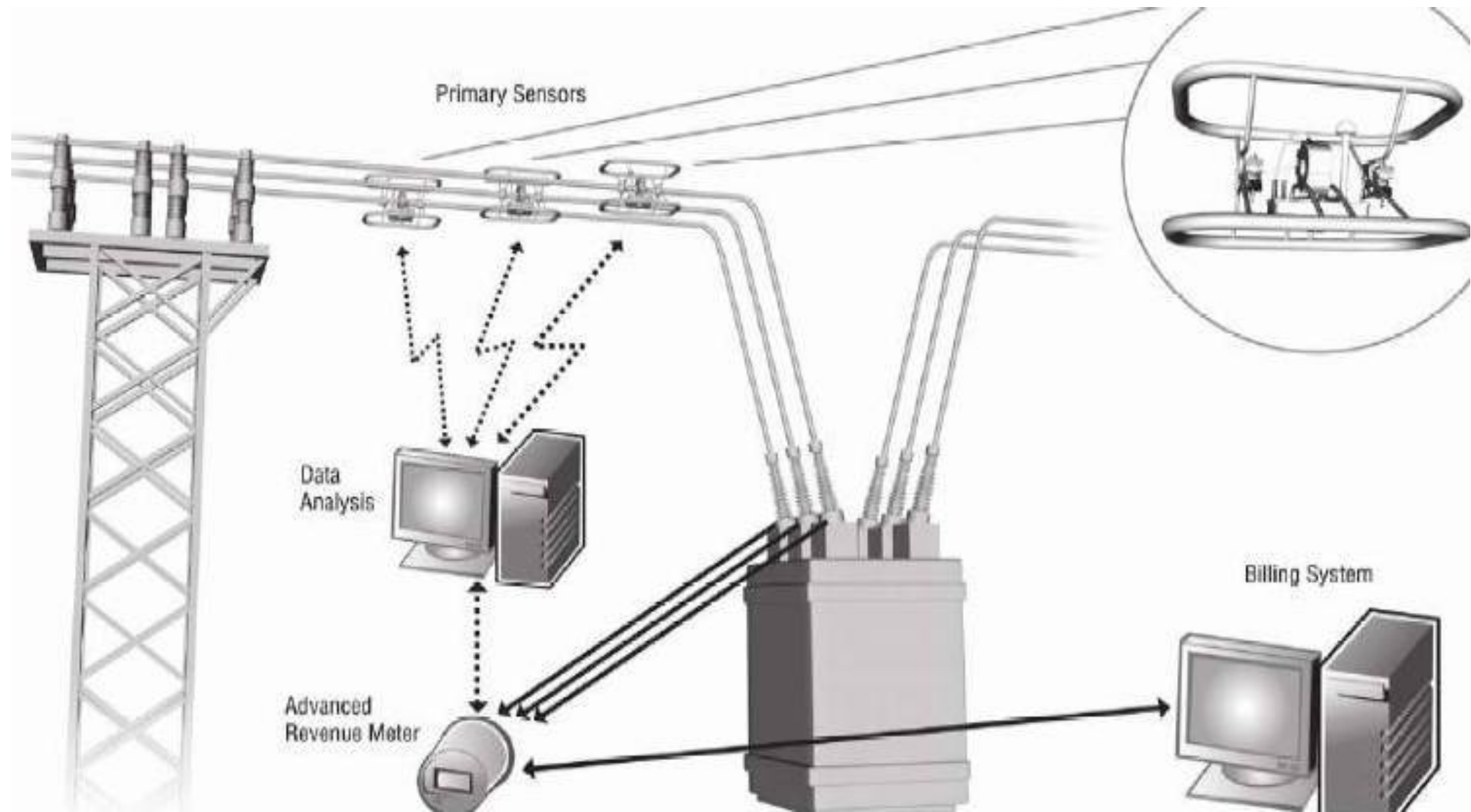


- IEC 61000-4-30 Class A (or IEEE 1159 when rewritten) becomes a requirement for PQ reporting
- NERC continues to define and begins to enforce reliability monitoring and reporting
- Direction and distance to fault algorithms improve, increasing reliability numbers and reducing outage management time



CT Reclassification

- A service to dynamically characterize existing relay-class CTs.
- Produces accurate error curves for both magnitude and phase across total load range.
- Requires: Active CTs, GPS time signals, Intelligent meter with Transformer Correction
- Once characterized, the relay-class CT can be 'reclassified' to metering-CT accuracy



*Building
a New Electric World*



Schneider
 **Electric**